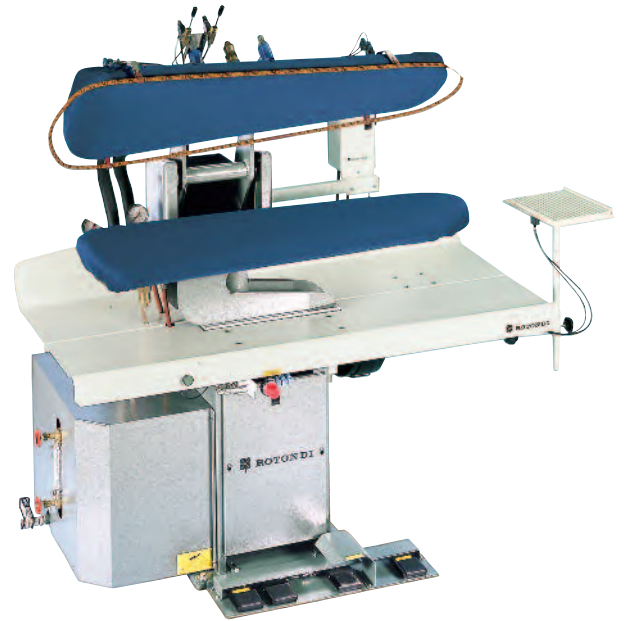
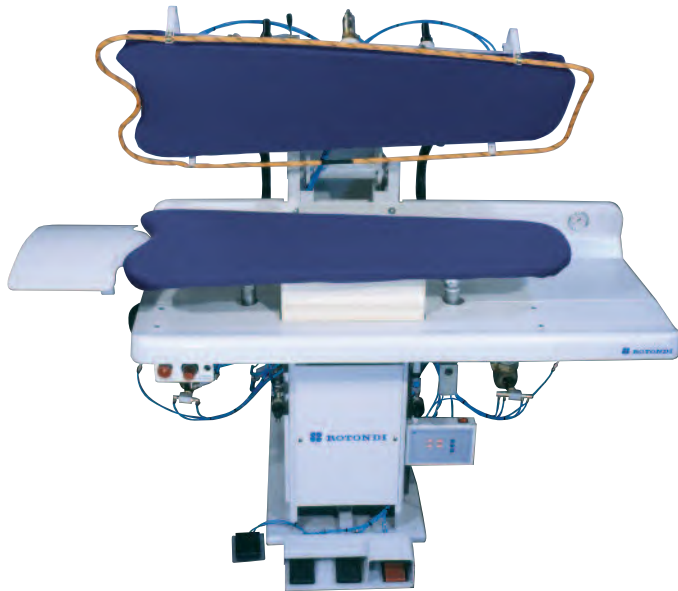




AIR OPERATED PRESS

BL-DRY CLEANING PRESSES SERIES



Pneumatic pressing machines for ironing jackets, over-coats, pants etc.

Head with steaming. Buck with vacuum and steaming.
Adjustable pressing pressure. Accident-prevention protection on head.
Lower padding of 5 layers with pure silicon foam.
Different forms are available:
CO-90 - Universal - length 117 cm
CO-49 - Universal long - length 124 cm
CO-5 - Universal short - length 107cm - 42"
1104 - Combined, universal and ironing of pants legs
E-30 - Single legger
B-99 - Trouser top pressing
Special forms upon request

Available with or without built-in electric steam generator meeting PED standards - capacity 24.5 litres – 12 or 15 or 18kw - and high-pressure vacuum motor 0.35KW - 0.5HP.

• Also available with FULL BACK version (FR series)

Options:

- Buck air-blowing
- Anti-shine plate on head in PTFE-aluminium
- ET-1 -RAFFAELLO mini-computer for programming timing of head steaming, pre and post vacuum, pressure and air-blowing time 9 programs. Extremely user friendly software.
- Condensation separator unit with electric steam or steam iron or temperature with high-precision electronic display (see catalogue of irons)
- Swing arm with form for ironing sleeves or stain-removal in stainless steel



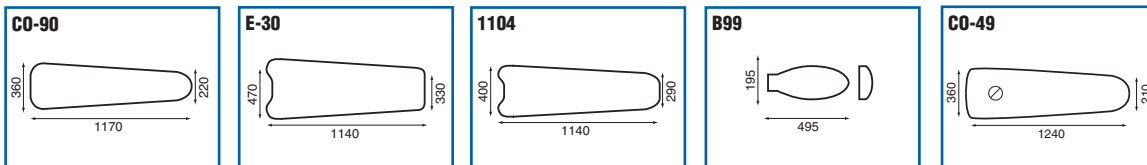
Made in Italy with Italian Fashion Mind



PRESSING MACHINE TECHNICAL SPECIFICATIONS

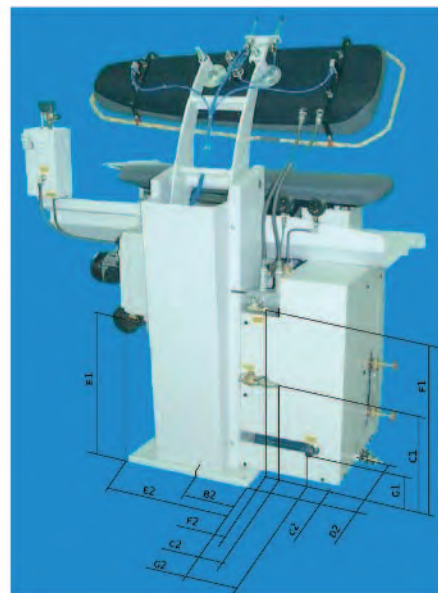
PARAMETER		DESCRIPTION
Voltage	-	230 V/1/50-60 Hz 400 V/3/50-60 Hz
Boiler capacity BOI (optional)	Lt.	24.5
Vacuum power VA (optional)	Kw	0,37
Boiler resistance BOI	Kw	12 or 15 or 18
Air pressure	Bar	Max 7
Steam pressure	Bar	4.5
Weight of machine	Kg	220 + 350
OVERALL DIMENSIONS		
Width	cm	125 + 170
Depth	cm	120 + 135
Height	cm	140 + 180

PRESSES BUCKS (MM)



ASSEMBLY AND PREPARATION OF THE MACHINE

DESCRIPTION	mm	mm	DIMENSION
ELECTRICAL POWER		B2	160
CONDENSATION RETURN	C1	540	C2 90 1/2"
AIR EXHAUST	E1	300	E2 550 D. 125
STEAM	F1	640	F2 90 1/2"
AIR INLET	E1	300	E2 550 3/8"
WATER INLET	G1	150	G2 180 3/4"
BOILER DISCHARGE	D1	60	D2 340 1/2"



ROTONDI group Srl
Via Fratelli Rosselli, 14/16
20019 Settimo Milanese (Milano) - Italia
Tel. (+39) 02.335.01.224 - Fax (+39) 02.335.01.329
E-mail: rotondi@rotondigroup.it
www.rotondigroup.com

Agente: